



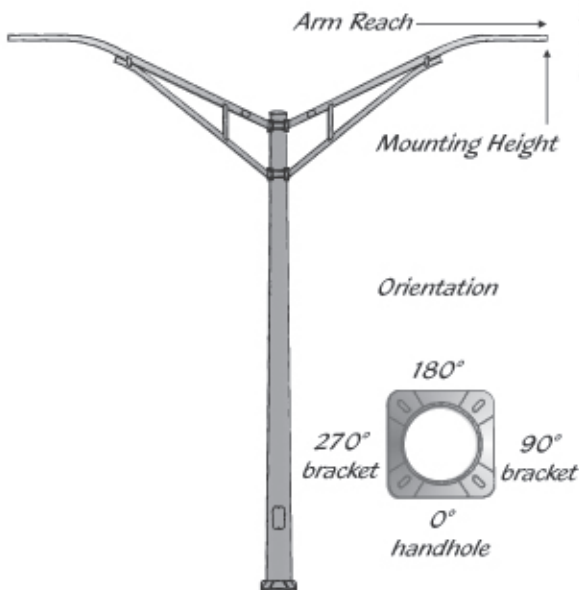
Round tapered aluminum poles with twin tapered truss arms (TRU) series

MOUNTING HEIGHT 25 TO 30 FEET

Round, tapered aluminum shaft, heat treated after tapering and welding to T6 temper. Recommended tapered truss arm (TRU series) is manufactured in 6063T6 aluminum alloy with standard 2-3/8" O.D. x 6" long tenon.

Standard features include:

- flush mounted, internally reinforced hand hole
- ground lug
- cast aluminum anchor base (alloy 356T6) welded externally and internally to shaft
- removable spun aluminum top cap c/w stainless steel set screws
- G40.21 50W steel anchor bolts with 50,000 PSI yield strength, minimum 12" hot dipped galvanize coating, complete with hex nuts, flat washers and nut covers
- rotary sanded or thermoset polyester powder coated
- direct burial poles are provided with a 2"x 9" wiring slot 24" below grade. Shaft below grade is powder coated inside and out, and wrapped with rubber



ALLOWABLE EPA / FIXTURE

CATALOG NUMBER	MOUNTING HEIGHT (FEET)	ARM REACH (FEET)	ALLOWABLE EPA / FIXTURE				ANCHOR BOLTS (INCHES)	BOLT CIRCLE (INCHES)	APPROX. WEIGHT (lbs)
			80 MPH	90 MPH	100 MPH	110 MPH			
USS8050C22.5AB-2TRU8	25	8	1.8	1.6	-	-	1"X 36"	11" TO 12"	155
USS8050D22.5AB-2TRU8	25	8	1.8	1.8	1.8	1	1"X 36"	11" TO 12"	155
USS8050D22.5AB-2TRU10	25	10	1.8	1.8	1	-	1"X 36"	11" TO 12"	164
USS1060C22.5AB-2TRU10	25	10	1.8	1.8	1.8	1.1	1"X 36"	13" TO 15"	184
USS8050D22.5AB-2TRU12	25	12	1.8	1.5	-	-	1"X 36"	11" TO 12"	173
USS1060C22.5AB-2TRU12	25	12	1.8	1.8	1.5	-	1"X 36"	13" TO 15"	193
USS1060C22.5AB-2TRU15	25	15	1.8	1.8	-	-	1"X 36"	13" TO 15"	186
USS1060D22.5AB-2TRU15	25	15	1.8	1.8	1.8	1.2	1"X 36"	13" TO 15"	206
USS8050D27.5AB-2TRU8	30	8	1.8	1.6	-	-	1"X 36"	11" TO 12"	178
USS1060C27.5AB-2TRU8	30	8	1.8	1.8	1.6	-	1"X 36"	13" TO 15"	248
USS8050D27.5AB-2TRU10	30	10	1.8	-	-	-	1"X 36"	11" TO 12"	211
USS1060C27.5AB-2TRU10	30	10	1.8	1.8	-	-	1"X 36"	13" TO 15"	257
USS1060C27.5AB-2TRU12	30	12	1.8	1.1	-	-	1"X 36"	13" TO 15"	220
USS1060D27.5AB-2TRU12	30	12	1.8	1.8	1.8	-	1"X 36"	13" TO 15"	266
USS1060C27.5AB-2TRU15	30	15	1.8	-	-	-	1"X 36"	13" TO 15"	279
USS1060D27.5AB-2TRU15	30	15	1.8	1.8	1	-	1"X 36"	13" TO 15"	270

CATALOG NUMBER DESIGNATES

Shaft Diameter At Base 60 = 6.0"	Shaft Diameter At Top 40 = 4.0"	Wall Thickness (INCHES) A = .125 B = .156 C = .188 D = .250	Pole Height (FEET) 19	Foundation AB = cast aluminum base DB = direct burial	Accessory See Accessories Section	Arm Type 2TRU8 = Twin Tapered Truss Arm 8 foot reach
-------------------------------------	------------------------------------	---	--------------------------	---	--------------------------------------	---



Round tapered aluminum poles with twin tapered truss arms (TRU) series

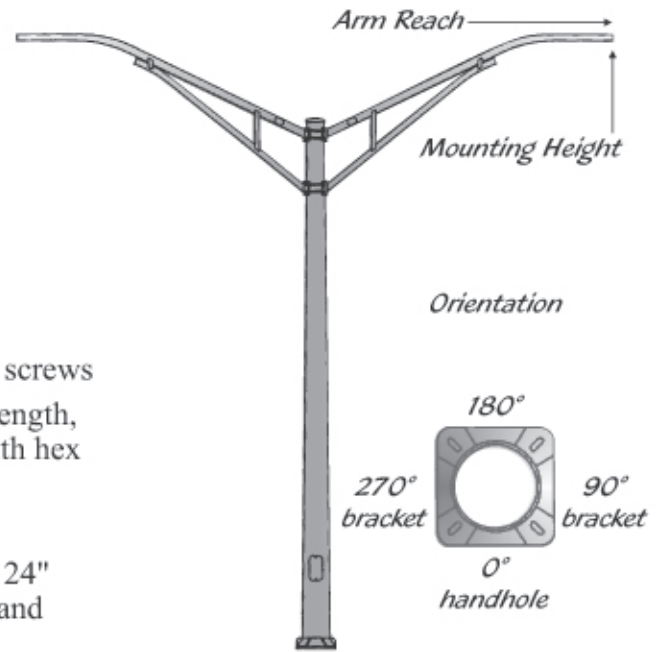
Round, tapered aluminum shaft, heat treated after tapering and welding to T6 temper.

Recommended tapered truss arm (TRU series) is manufactured in 6063T6 aluminum alloy with standard 2-3/8" O.D. x 6" long tenon.

Standard features include:

- flush mounted, internally reinforced hand hole
- ground lug
- cast aluminum anchor base (alloy 356T6) welded externally and internally to shaft
- removable spun aluminum top cap c/w stainless steel set screws
- G40.21 50W steel anchor bolts with 50,000 PSI yield strength, minimum 12" hot dipped galvanize coating, complete with hex nuts, flat washers and nut covers
- rotary sanded or thermoset polyester powder coated
- direct burial poles are provided with a 2"x 9" wiring slot 24" below grade. Shaft below grade is powder coated inside and out, and wrapped with rubber

MOUNTING HEIGHT 35 TO 40 FEET



CATALOG NUMBER	MOUNTING HEIGHT (FEET)	ARM REACH (FEET)	ALLOWABLE EPA / FIXTURE				ANCHOR BOLTS (INCHES)	BOLT CIRCLE (INCHES)	APPROX. WEIGHT (lbs)
			80 MPH	90 MPH	100 MPH	110 MPH			
USS1060C32.5AB-2TRU8	35	8	1.8	1.4	-	-	1"X 36"	13" TO 15"	307
USS1060D32.5AB-2TRU8	35	8	1.8	1.8	1.8	-	1"X 36"	13" TO 15"	381
USS1060C32.5AB-2TRU10	35	10	1.8	-	-	-	1"X 36"	13" TO 15"	330
USS1060D32.5AB-2TRU10	35	10	1.8	1.8	1	-	1"X 36"	13" TO 15"	399
USS1060D32.5AB-2TRU12	35	12	1.8	1.4	-	-	1"X 36"	13" TO 15"	417
USS1060D32.5AB-2TRU15	35	15	1.8	-	-	-	1"X 36"	13" TO 15"	443
USS1060C37.5AB-2TRU8	40	8	1.4	-	-	-	1"X 36"	13" TO 15"	426
USS1060D37.5AB-2TRU8	40	8	1.8	1.8	-	-	1"X 36"	13" TO 15"	426
USS1060D37.5ABSLV-2TRU10 (5' INTERNAL SLEEVE)	40	10	1.8	1.8	-	-	1.25"X 42"	14" TO 15"	489
USS1060D37.5AB-SLV-2TRU12 (5' INTERNAL SLEEVE)	40	12	1.8	1	-	-	1.25"X 42"	14" TO 15"	507
USS1060D37.5AB-SLV-2TRU15 (5' INTERNAL SLEEVE)	40	15	1.8	-	-	-	1.25"X 42"	14" TO 15"	533

CATALOG NUMBER DESIGNATES						
Shaft Diameter At Base	Shaft Diameter At Top	Wall Thickness (INCHES)	Pole Height (FEET)	Foundation	Accessory	Arm Type
60 = 6.0"	40 = 4.0"	A = .125 B = .156 C = .188 D = .250	19	AB = cast aluminum base DB = direct burial	See Accessories Section	2TRU8 = Twin Tapered Truss Arm 8 foot reach