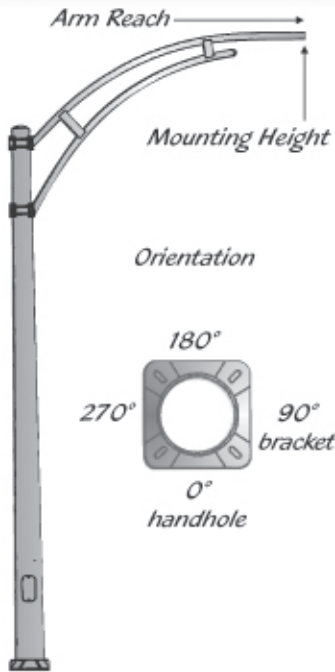




Round tapered aluminum poles with pipe truss arm (PRE) series

MOUNTING HEIGHT 25 TO 30 FEET



Round, tapered aluminum shaft, heat treated after tapering and welding to T6 temper. Recommended pipe truss arm (PRE series) is manufactured in 6063T6 aluminum alloy with standard 2-3/8" O.D. x 6" long tenon.

Standard features include:

- flush mounted, internally reinforced hand hole
- ground lug
- cast aluminum anchor base (alloy 356T6) welded externally and internally to shaft
- removable spun aluminum top cap c/w stainless steel set screws
- G40.21 50W steel anchor bolts with 50,000 PSI yield strength, minimum 12" hot dipped galvanize coating, complete with hex nuts, flat washers and nut covers
- rotary sanded or thermoset polyester powder coated
- direct burial poles are provided with a 2"x 9" wiring slot 24" below grade. Shaft below grade is powder coated inside and out, and wrapped with rubber

ALLOWABLE EPA

CATALOG NUMBER	MOUNTING HEIGHT (FEET)	ARM REACH (FEET)	ALLOWABLE EPA				ANCHOR BOLTS (INCHES)	BOLT CIRCLE (INCHES)	APPROX. WEIGHT (lbs)
			80 MPH	90 MPH	100 MPH	110 MPH			
USS7040C22AB-PRE6	25	6	1.8	1.8	1.8	1.7	1"X 36"	10" TO 11"	138
USS8050B22AB-PRE6	25	6	1.8	1.8	1.8	1.8	1"X 36"	11" TO 12"	134
USS7040C22AB-PRE8	25	8	1.8	1.8	1.8	-	1"X 36"	10" TO 11"	143
USS8050B22AB-PRE8	25	8	1.8	1.8	1.8	1.5	1"X 36"	11" TO 12"	139
USS8050B22AB-PRE10	25	10	1.8	1.8	1.8	-	1"X 36"	11" TO 12"	144
USS8050C22AB-PRE10	25	10	1.8	1.8	1.8	1.8	1"X 36"	11" TO 12"	163
USS8050B22AB-PRE12	25	12	1.8	1.8	-	-	1"X 36"	11" TO 12"	150
USS8050C22AB-PRE12	25	12	1.8	1.8	1.8	-	1"X 36"	11" TO 12"	169
USS8050B27AB-PRE6	30	6	1.8	1.8	1.4	-	1"X 36"	11" TO 12"	156
USS8050C27AB-PRE6	30	6	1.8	1.8	1.8	1.6	1"X 36"	11" TO 12"	180
USS8050B27AB-PRE8	30	8	1.8	1.8	-	-	1"X 36"	11" TO 12"	161
USS8050D27AB-PRE8	30	8	1.8	1.8	1.8	1.8	1"X 36"	11" TO 12"	230
USS8050C27AB-PRE10	30	10	1.8	1.8	-	-	1"X 36"	11" TO 12"	190
USS8050D27AB-PRE10	30	10	1.8	1.8	1.8	1.8	1"X 36"	11" TO 12"	235
USS8050C27AB-PRE12	30	12	1.8	1.6	-	-	1"X 36"	11" TO 12"	196
USS8050D27AB-PRE12	30	12	1.8	1.8	1.8	1	1"X 36"	11" TO 12"	241

CATALOG NUMBER DESIGNATES

Shaft Diameter At Base 60 = 6.0"	Shaft Diameter At Top 40 = 4.0"	Wall Thickness (INCHES) A = .125 B = .156 C = .188 D = .250	Pole Height (FEET) 19	Foundation AB = cast aluminum base DB = direct burial	Accessory See Accessories Section	Arm Type PRE6 = Pipe Truss Arm 6 foot reach
-------------------------------------	------------------------------------	---	--------------------------	---	--------------------------------------	---



Round tapered aluminum poles with pipe truss arm (PRE) series

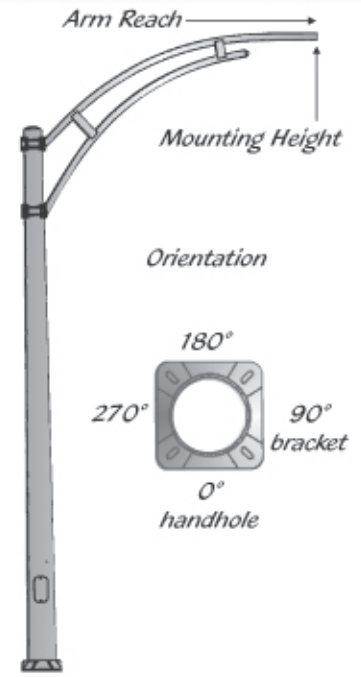
MOUNTING HEIGHT 35 TO 40 FEET

Round, tapered aluminum shaft, heat treated after tapering and welding to T6 temper.

Recommended pipe truss arm (PRE series) is manufactured in 6063T6 aluminum alloy with standard 2-3/8" O.D. x 6" long tenon.

Standard features include:

- flush mounted, internally reinforced hand hole
- ground lug
- cast aluminum anchor base (alloy 356T6) welded externally and internally to shaft
- removable spun aluminum top cap c/w stainless steel set screws
- G40.21 50W steel anchor bolts with 50,000 PSI yield strength, minimum 12" hot dipped galvanize coating, complete with hex nuts, flat washers and nut covers
- rotary sanded or thermoset polyester powder coated
- direct burial poles are provided with a 2"x 9" wiring slot 24" below grade. Shaft below grade is powder coated inside and out, and wrapped with rubber



CATALOG NUMBER	MOUNTING HEIGHT (FEET)	ARM REACH (FEET)	ALLOWABLE EPA				ANCHOR BOLTS (INCHES)	BOLT CIRCLE (INCHES)	APPROX. WEIGHT (lbs)
			80 MPH	90 MPH	100 MPH	110 MPH			
USS8050C32AB-PRE6	35	6	1.8	1.8	1	-	1"X 36"	11" TO 12"	207
USS8050D32AB-PRE6	35	6	1.8	1.8	1.8	1.8	1"X 36"	11" TO 12"	261
USS8050C32AB-PRE8	35	8	1.8	1.2	-	-	1"X 36"	11" TO 12"	212
USS8050D32AB-PRE8	35	8	1.8	1.8	1.8	1	1"X 36"	11" TO 12"	266
USS8050D32AB-PRE10	35	10	1.8	1.8	1.2	-	1"X 36"	11" TO 12"	271
USS1060C32AB-PRE10	35	10	1.8	1.8	1.8	1.2	1"X 36"	13" TO 15"	260
USS8050D32AB-PRE12	35	12	1.8	1.8	-	-	1"X 36"	11" TO 12"	277
USS1060C32AB-PRE12	35	12	1.8	1.8	1.8	-	1"X 36"	13" TO 15"	266
USS8050D37AB-PRE6	40	6	1.8	1.8	1.4	-	1"X 36"	11" TO 12"	297
USS1060C37AB-PRE6	40	6	1.8	1.8	1.8	1.8	1"X 36"	13" TO 15"	284
USS8050D37AB-PRE8	40	8	1.8	1.8	-	-	1"X 36"	11" TO 12"	302
USS1060C37AB-PRE8	40	8	1.8	1.8	1.8	-	1"X 36"	13" TO 15"	289
USS8050D37AB-PRE10	40	10	1.8	-	-	-	1"X 36"	11" TO 12"	307
USS1060C37AB-PRE10	40	10	1.8	1.8	1	-	1"X 36"	13" TO 15"	294
USS1060C37AB-PRE12	40	12	1.8	1.8	-	-	1"X 36"	13" TO 15"	300
USS1060D37AB-PRE12	40	12	1.8	1.8	1.8	1	1"X 36"	13" TO 15"	379

CATALOG NUMBER DESIGNATES						
Shaft Diameter At Base	Shaft Diameter At Top	Wall Thickness (INCHES)	Pole Height (FEET)	Foundation	Accessory	Arm Type
60 = 6.0"	40 = 4.0"	A = .125 B = .156 C = .188 D = .250	19	AB = cast aluminum base DB = direct burial	See Accessories Section	PRE6 = Pipe Truss Arm 6 foot reach