



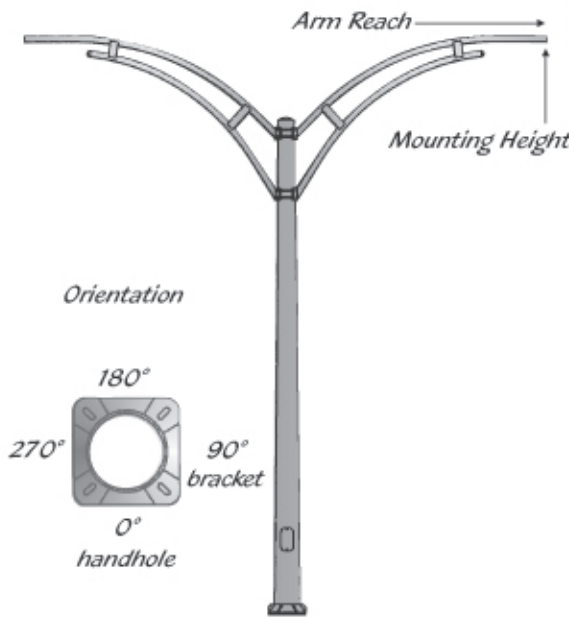
Round tapered aluminum poles with twin pipe truss arms (PRE) series

MOUNTING HEIGHT 25 TO 30 FEET

Round, tapered aluminum shaft, heat treated after tapering and welding to T6 temper. Recommended pipe truss arm (PRE series) is manufactured in 6063T6 aluminum alloy with standard 2-3/8" O.D. x 6" long tenon.

Standard features include:

- flush mounted, internally reinforced hand hole
- ground lug
- cast aluminum anchor base (alloy 356T6) welded externally and internally to shaft
- removable spun aluminum top cap c/w stainless steel set screws
- G40.21 50W steel anchor bolts with 50,000 PSI yield strength, minimum 12" hot dipped galvanize coating, complete with hex nuts, flat washers and nut covers
- rotary sanded or thermoset polyester powder coated
- direct burial poles are provided with a 2"x 9" wiring slot 24" below grade. Shaft below grade is powder coated inside and out, and wrapped with rubber



ALLOWABLE EPA / FIXTURE

CATALOG NUMBER	MOUNTING HEIGHT (FEET)	ARM REACH (FEET)	ALLOWABLE EPA / FIXTURE				ANCHOR BOLTS (INCHES)	BOLT CIRCLE (INCHES)	APPROX. WEIGHT (lbs)
			80 MPH	90 MPH	100 MPH	110 MPH			
USS8050C22AB-2PRE6	25	6	1.8	1.8	1.5	-	1"X 36"	11" TO 12"	193
USS8050D22AB-2PRE6	25	6	1.8	1.8	1.8	1.8	1"X 36"	11" TO 12"	235
USS8050C22AB-2PRE8	25	8	1.8	1.6	-	-	1"X 36"	11" TO 12"	203
USS8050D22AB-2PRE8	25	8	1.8	1.8	1.8	1	1"X 36"	11" TO 12"	245
USS8050D22AB-2PRE10	25	10	1.8	1.8	1	-	1"X 36"	11" TO 12"	255
USS1060C22AB-2PRE10	25	10	1.8	1.8	1.8	1.1	1"X 36"	13" TO 15"	246
USS8050D22AB-2PRE12	25	12	1.8	1.5	-	-	1"X 36"	11" TO 12"	267
USS1060C22AB-2PRE12	25	12	1.8	1.8	1.5	-	1"X 36"	13" TO 15"	258
USS8050D27AB-2PRE6	30	6	1.8	1.8	1.5	-	1"X 36"	11" TO 12"	249
USS1060C27AB-2PRE6	30	6	1.8	1.8	1.8	1.6	1"X 36"	13" TO 15"	240
USS8050D27AB-2PRE8	30	8	1.8	1.6	-	-	1"X 36"	11" TO 12"	259
USS1060C27AB-2PRE8	30	8	1.8	1.8	1.6	-	1"X 36"	13" TO 15"	250
USS8050D27AB-2PRE10	30	10	1.8	-	-	-	1"X 36"	11" TO 12"	269
USS1060C27AB-2PRE10	30	10	1.8	1.8	-	-	1"X 36"	13" TO 15"	260
USS1060C27AB-2PRE12	30	12	1.8	1.1	-	-	1"X 36"	13" TO 15"	272
USS1060D27AB-2PRE12	30	12	1.8	1.8	1.8	-	1"X 36"	13" TO 15"	329

CATALOG NUMBER DESIGNATES

Shaft Diameter At Base 60 = 6.0"	Shaft Diameter At Top 40 = 4.0"	Wall Thickness (INCHES) A = .125 B = .156 C = .188 D = .250	Pole Height (FEET) 19	Foundation AB = cast aluminum base DB = direct burial	Accessory See Accessories Section	Arm Type 2PRE6 = Twin Pipe Truss Arm 6 foot reach
-------------------------------------	------------------------------------	---	--------------------------	---	--------------------------------------	---



Round tapered aluminum poles with twin pipe truss arms (PRE) series

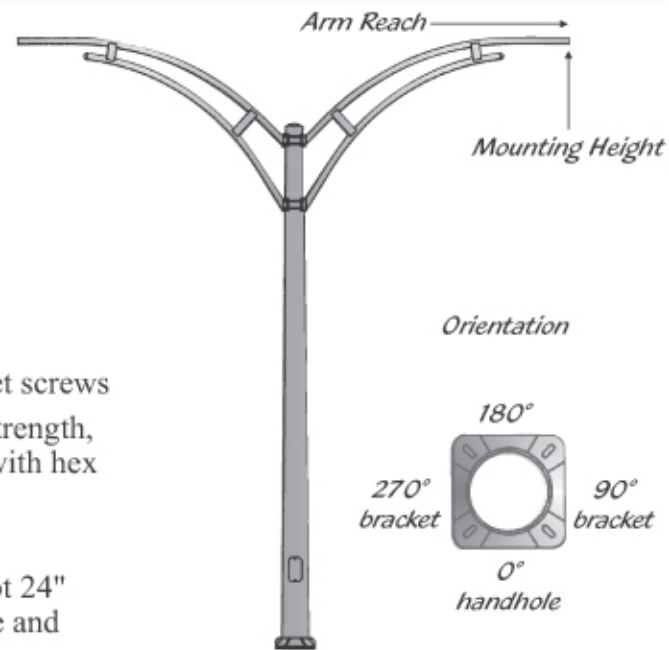
MOUNTING HEIGHT 35 TO 40 FEET

Round, tapered aluminum shaft, heat treated after tapering and welding to T6 temper.

Recommended pipe truss arm (PRE series) is manufactured in 6063T6 aluminum alloy with standard 2-3/8" O.D. x 6" long tenon.

Standard features include:

- flush mounted, internally reinforced hand hole
- ground lug
- cast aluminum anchor base (alloy 356T6) welded externally and internally to shaft
- removable spun aluminum top cap c/w stainless steel set screws
- G40.21 50W steel anchor bolts with 50,000 PSI yield strength, minimum 12" hot dipped galvanize coating, complete with hex nuts, flat washers and nut covers
- rotary sanded or thermoset polyester powder coated
- direct burial poles are provided with a 2"x 9" wiring slot 24" below grade. Shaft below grade is powder coated inside and out, and wrapped with rubber



CATALOG NUMBER	MOUNTING HEIGHT (FEET)	ARM REACH (FEET)	ALLOWABLE EPA / FIXTURE				ANCHOR BOLTS (INCHES)	BOLT CIRCLE (INCHES)	APPROX. WEIGHT (lbs)
			80 MPH	90 MPH	100 MPH	110 MPH			
USS1060C32AB-2PRE6	35	6	1.8	1.8	1.2	-	1"X 36"	13" TO 15"	274
USS1060D32AB-2PRE6	35	6	1.8	1.8	1.8	1.8	1"X 36"	13" TO 15"	342
USS1060C32AB-2PRE8	35	8	1.8	1.4	-	-	1"X 36"	13" TO 15"	284
USS1060D32AB-2PRE8	35	8	1.8	1.8	1.8	-	1"X 36"	13" TO 15"	352
USS1060C32AB-2PRE10	35	10	1.8	-	-	-	1"X 36"	13" TO 15"	294
USS1060D32AB-2PRE10	35	10	1.8	1.8	1	-	1"X 36"	13" TO 15"	362
USS1060D32AB-2PRE12	35	12	1.8	1.4	-	-	1"X 36"	13" TO 15"	374
USS1060C37AB-2PRE6	40	6	1.8	1.2	-	-	1"X 36"	13" TO 15"	308
USS1060D37AB-2PRE6	40	6	1.8	1.8	1.8	-	1"X 36"	13" TO 15"	387
USS1060C37AB-2PRE8	40	8	1.4	-	-	-	1"X 36"	13" TO 15"	318
USS1060D37AB-2PRE8	40	8	1.8	1.8	-	-	1"X 36"	13" TO 15"	397
USS1060D37AB-2PRE10 (5' INTERNAL SLEEVE)	40	10	1.8	1.8	-	-	1.25"X 42"	14" TO 15"	452
USS1060D37AB-2PRE12 (5' INTERNAL SLEEVE)	40	12	1.8	1	-	-	1.25"X 42"	14" TO 15"	464

CATALOG NUMBER DESIGNATES						
Shaft Diameter At Base	Shaft Diameter At Top	Wall Thickness (INCHES)	Pole Height (FEET)	Foundation	Accessory	Arm Type
60 = 6.0"	40 = 4.0"	A = .125 B = .156 C = .188 D = .250	19	AB = cast aluminum base DB = direct burial	See Accessories Section	2PRE6 = Twin Pipe Truss Arm 6 foot reach