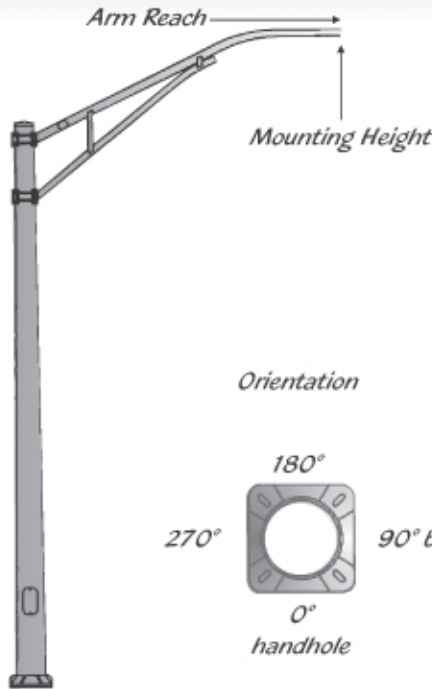




# Round tapered aluminum poles with tapered truss arm (TRU) series

MOUNTING HEIGHT 20 TO 30 FEET



Round, tapered aluminum shaft, heat treated after tapering and welding to T6 temper. Recommended tapered truss arm (TRU series) is manufactured in 6063T6 aluminum alloy with standard 2-3/8" O.D. x 6" long tenon.

**Standard features include:**

- flush mounted, internally reinforced hand hole
- ground lug
- cast aluminum anchor base (alloy 356T6) welded externally and internally to shaft
- removable spun aluminum top cap c/w stainless steel set screws
- G40.21 50W steel anchor bolts with 50,000 PSI yield strength, minimum 12" hot dipped galvanize coating, complete with hex nuts, flat washers and nut covers
- rotary sanded or thermoset polyester powder coated
- direct burial poles are provided with a 2"x 9" wiring slot 24" below grade. Shaft below grade is powder coated inside and out, and wrapped with rubber

**ALLOWABLE EPA**

CATALOG NUMBER	MOUNTING HEIGHT (FEET)	ARM REACH (FEET)	ALLOWABLE EPA				ANCHOR BOLTS (INCHES)	BOLT CIRCLE (INCHES)	APPROX. WEIGHT (lbs)
			80 MPH	90 MPH	100 MPH	110 MPH			
USS7040C22.5AB-TRU8	25	8	1.8	1.8	1.8	-	1"X 36"	10" TO 11"	155
USS8050B22.5AB-TRU8	25	8	1.8	1.8	1.8	1.5	1"X 36"	11" TO 12"	155
USS8050B22.5AB-TRU10	25	10	1.8	1.8	1.8	-	1"X 36"	11" TO 12"	164
USS8050C22.5AB-TRU10	25	10	1.8	1.8	1.8	1.8	1"X 36"	11" TO 12"	184
USS8050B22.5AB-TRU12	25	12	1.8	1.8	-	-	1"X 36"	11" TO 12"	173
USS8050C22.5AB-TRU12	25	12	1.8	1.8	1.8	-	1"X 36"	11" TO 12"	193
USS8050C22.5AB-TRU15	25	15	1.8	1.8	1.4	-	1"X 36"	11" TO 12"	186
USS8050D22.5AB-TRU15	25	15	1.8	1.8	1.8	1.8	1"X 36"	11" TO 12"	206
USS8050B27.5AB-TRU8	30	8	1.8	1.8	-	-	1"X 36"	11" TO 12"	178
USS8050D27.5AB-TRU8	30	8	1.8	1.8	1.8	1.8	1"X 36"	11" TO 12"	248
USS8050C27.5AB-TRU10	30	10	1.8	1.8	-	-	1"X 36"	11" TO 12"	211
USS8050D27.5AB-TRU10	30	10	1.8	1.8	1.8	1.8	1"X 36"	11" TO 12"	257
USS8050C27.5AB-TRU12	30	12	1.8	1.6	-	-	1"X 36"	11" TO 12"	220
USS8050D27.5AB-TRU12	30	12	1.8	1.8	1.8	1	1"X 36"	11" TO 12"	266
USS8050D27.5AB-TRU15	30	15	1.8	1.8	1.8	-	1"X 36"	11" TO 12"	279
USS1060C27.5AB-TRU15	30	15	1.8	1.8	1.8	1.8	1"X 36"	13" TO 15"	270

**CATALOG NUMBER DESIGNATES**

Shaft Diameter At Base 60 = 6.0"	Shaft Diameter At Top 40 = 4.0"	Wall Thickness (INCHES) A = .125 B = .156 C = .188 D = .250	Pole Height (FEET) 19	Foundation AB = cast aluminum base DB = direct burial	Accessory See Accessories Section	Arm Type TRU8 = Tapered Truss Arm 8 foot reach
-------------------------------------	------------------------------------	---	--------------------------	---	--------------------------------------	---



# Round tapered aluminum poles with tapered truss arm (TRU) series

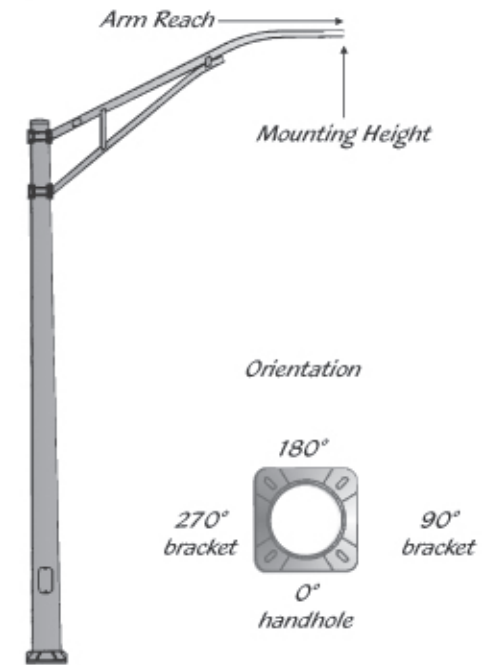
Round, tapered aluminum shaft, heat treated after tapering and welding to T6 temper.

Recommended tapered truss arm (TRU series) is manufactured in 6063T6 aluminum alloy with standard 2-3/8" O.D. x 6" long tenon.

MOUNTING HEIGHT 35 TO 40 FEET

**Standard features include:**

- flush mounted, internally reinforced hand hole
- ground lug
- cast aluminum anchor base (alloy 356T6) welded externally and internally to shaft
- removable spun aluminum top cap c/w stainless steel set screws
- G40.21 50W steel anchor bolts with 50,000 PSI yield strength, minimum 12" hot dipped galvanize coating, complete with hex nuts, flat washers and nut covers
- rotary sanded or thermoset polyester powder coated
- direct burial poles are provided with a 2"x 9" wiring slot 24" below grade. Shaft below grade is powder coated inside and out, and wrapped with rubber



**ALLOWABLE EPA**

CATALOG NUMBER	MOUNTING HEIGHT (FEET)	ARM REACH (FEET)	ALLOWABLE EPA				ANCHOR BOLTS (INCHES)	BOLT CIRCLE (INCHES)	APPROX. WEIGHT (lbs)
			80 MPH	90 MPH	100 MPH	110 MPH			
USS8050C32.5AB-TRU8	35	8	1.8	1.2	-	-	1"X 36"	11" TO 12"	229
USS8050D32.5AB-TRU8	35	8	1.8	1.8	1.8	1	1"X 36"	11" TO 12"	283
USS8050D32.5AB-TRU10	35	10	1.8	1.8	1.2	-	1"X 36"	11" TO 12"	292
USS1060C32.5AB-TRU10	35	10	1.8	1.8	1.8	1.2	1"X 36"	13" TO 15"	282
USS8050D32.5AB-TRU12	35	12	1.8	1.8	-	-	1"X 36"	11" TO 12"	301
USS1060C32.5AB-TRU12	35	12	1.8	1.8	1.8	-	1"X 36"	13" TO 15"	291
USS8050D32.5AB-TRU15	35	15	1.8	-	-	-	1"X 36"	11" TO 12"	314
USS1060D32.5AB-TRU15	35	15	1.8	1.8	1.8	1.8	1"X 36"	13" TO 15"	373
USS8050D37.5AB-TRU8	40	8	1.8	1.8	-	-	1"X 36"	11" TO 12"	319
USS1060C37.5AB-TRU8	40	8	1.8	1.8	1.8	-	1"X 36"	13" TO 15"	307
USS8050D37.5AB-TRU10	40	10	1.8	-	-	-	1"X 36"	11" TO 12"	328
USS1060C37.5AB-TRU10	40	10	1.8	1.8	1	-	1"X 36"	13" TO 15"	316
USS1060C37.5AB-TRU12	40	12	1.8	1.8	-	-	1"X 36"	13" TO 15"	325
USS1060D37.5AB-TRU12	40	12	1.8	1.8	1.8	1	1"X 36"	13" TO 15"	405
USS1060C37.5AB-TRU15	40	15	1.8	1	-	-	1"X 36"	13" TO 15"	338
USS1060D37.5AB-TRU15	40	15	1.8	1.8	1.8	-	1"X 36"	13" TO 15"	418

**CATALOG NUMBER DESIGNATES**

Shaft Diameter At Base 60 = 6.0"	Shaft Diameter At Top 40 = 4.0"	Wall Thickness (INCHES) A = .125 B = .156 C = .188 D = .250	Pole Height (FEET) 19	Foundation AB = cast aluminum base DB = direct burial	Accessory See Accessories Section	Arm Type TRU8 = Tapered Truss Arm 8 foot reach
-------------------------------------	------------------------------------	---	--------------------------	---	--------------------------------------	---